

BR_L160s

Small poligonal geometric suspension with brass structure and glass.

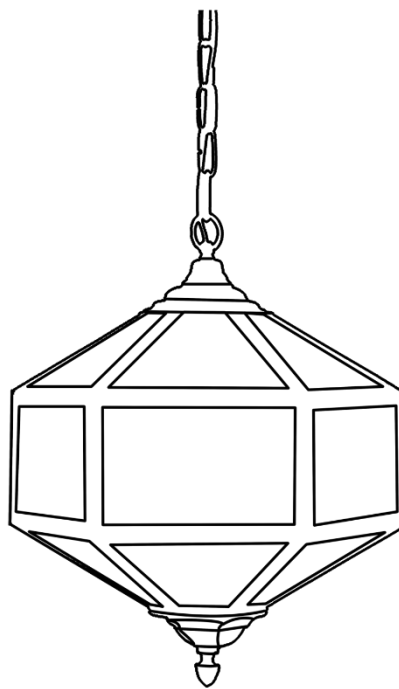
Incandescent source: 1 x E27 max 42 W

Weight: 3 kg

Collection: Timeless



26.5 cm | 10.43"



28.5 cm | 11.22"

BR_L160m

Medium polygonal geometric suspension with brass structure and glass.

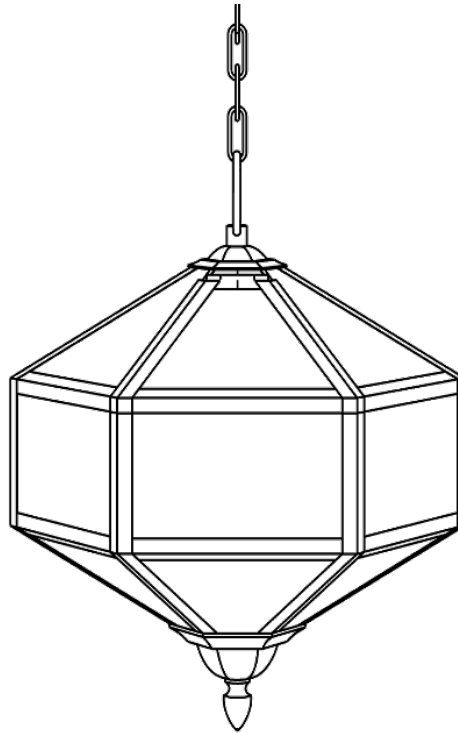
Incandescent source: 1 x E27 max 42 W

Weight: 4,5 kg

Collection: Timeless



40.0 cm | 15.74"



36.0 cm | 14.17"

BR_L1601

Large poligonal geometric suspension with brass structure and glass.

Incandescent source: 1 x E27 max 42 W

Weight: 6 kg

Collection: Timeless

