

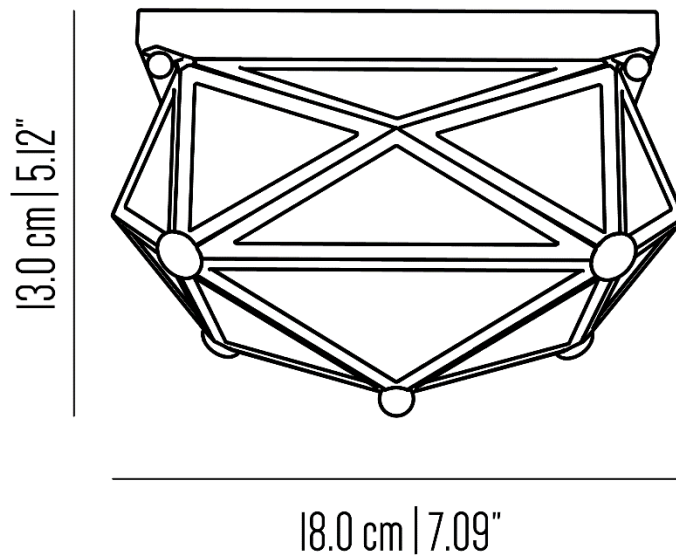
BR_PL159s

Small geometric ceiling light with brass structure and glass.

Incandescent source: 1 x R7S Max 60W

Weight: 2 kg

Collection: Timeless



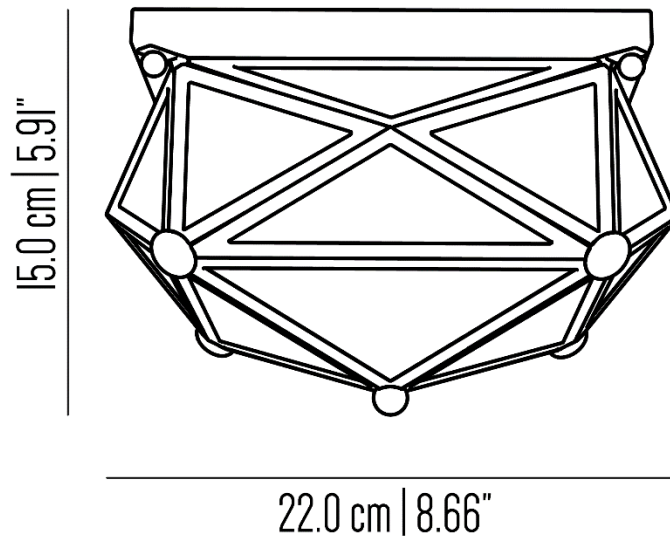
BR_PL159m

Medium geometric ceiling light with brass structure and glass.

Incandescent source: 1 x R7S Max 60W

Weight: 2,5 kg

Collection: Timeless



BR_PL159I

Large geometric ceiling light with brass structure and glass.

Incandescent source: 1 x R7S Max 60W

Weight: 3,5 kg

Collection: Timeless

